

F65-6x13.5 mL

Fixed Angle Carbon Fiber Rotor

6x13.5 mL



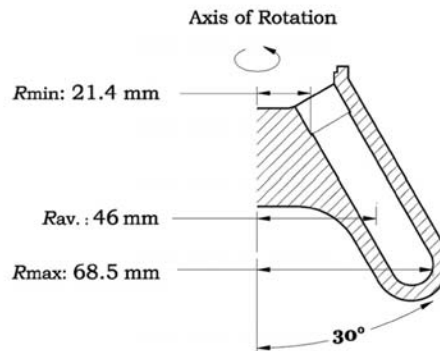
for
**Sorvall and Beckman
Ultra Centrifuges**

Features

- Lifetime warranty
- Safer than metallic rotors
- Corrosion free
- Cold room compatible
- Easy to handle
- Fully autoclavable
- Reduced wear on centrifuge drive
- Rapid acceleration and deceleration
- Highly resistant to radiolabel contamination

Applications

- Pelletting of small molecular weight particles, purification of viruses with polyethylene glycol gradients, separation of nucleic acids, (RNA) using cesium sulphate gradients
- Separating plasmid DNA also single and double stranded DNA
- Using cesium chloride-ethidium bromide gradients in overnight runs



Specifications

- Max. Speed: 65,000 rpm
- Max. g-force: 324,142 x g
- Max. radius (r_{max}): 68.5 mm
- Min. radius (r_{min}): 21.4 mm
- Tube Angle: 30°
- k factor: 70
- Rotor Capacity: 6 x 13.5mL (81.0 mL)
- Max Tube Size: $\phi 16 \times 96.8$ mm (0.63 x 3.8 in.)
- Rotor Mass: 6.8 lbs
- Liquid Containment: No

Unique Features:

- Highest G-Force (330,000 x g) ultra speed rotor for differential centrifugation studies
- Used for separating small molecular weight proteins, viruses and isolating nucleic acid samples in cesium chloride gradients

For Sorvall Ultra Centrifuge

For Beckman Ultra Centrifuge

Ultra

FIBERLite Rotor Model	F65L-6x13.5 mL	F65L-6x13.5 mL
FIBERLite Part No.	096-067135	096-067135
Will Spin In	OTD/Discovery/Ultra Pro 80	L Series
Will Replace	T-865.1/T-875	Type 70.1 Ti, Type 50 Ti
Rotor Accessories and Replacement Parts		
Lid Assembly	099-067135	099-067135
O-Ring Refresher Kit	021-067135	021-067135

Recommended Bottles with Cap Assemblies

Tube Style Material	Part No.	Volume (Nominal)	Tube Manufacturer Recommended g-Force
Polycarbonate (Set of 2)	010-0128	10.4 mL	450,000 x g

