

Thermo Scientific

TX-150 Rotor

For use with Thermo Scientific Heraeus Megafuge 8,
Sorvall ST 8 and SL 8 Centrifuges

Instruction Manual

50138982-a

February 2013

Visit us online to register your warranty.
www.thermoscientific.com/labwarranty

© 2013 Thermo Fisher Scientific Inc. All rights reserved.

HERAEUS is a registered trademark of Heraeus Holding GmbH licensed to Thermo Fisher Scientific. Delrin, TEFLON, and Viton are registered trademarks of DuPont. Noryl is a registered trademark of SABIC. POLYCLEAR is a registered trademark of Hongye CO., Ltd. Hypaque is a registered trademark of Amersham Health As. RULON A and Tygon are registered trademarks of Saint-Gobain Performance Plastics. Alconox is a registered trademark of Alconox. Ficoll is a registered trademark of GE Healthcare. Haemo-Sol is a registered trademark of Haemo-Sol. Triton X-100 is a registered trademark of Sigma-Aldrich Co. LLC

All other trademarks are the property of Thermo Fisher Scientific Inc. and its subsidiaries.

Thermo Fisher Scientific Inc. provides this document to its customers with a product purchase to use in the product operation. This document is copyright protected and any reproduction of the whole or any part of this document is strictly prohibited, except with the written authorization of Thermo Fisher Scientific Inc.

Manufacturer:
Thermo Electron LED GmbH
Robert-Bosch-Straße 1
D - 63505 Langenselbold
Germany

The contents of this document are subject to change without notice. All technical information in this document is for reference purposes only. System configurations and specifications in this document supersede all previous information received by the purchaser.

Thermo Fisher Scientific Inc. makes no representations that this document is complete, accurate or errorfree and assumes no responsibility and will not be liable for any errors, omissions, damage or loss that might result from any use of this document, even if the information in the document is followed properly.

This document is not part of any sales contract between Thermo Fisher Scientific Inc. and a purchaser. This document shall in no way govern or modify any Terms and Conditions of Sale, which Terms and Conditions of Sale shall govern all conflicting information between the two documents.

Original instruction manual 50138982-a printed in February 2013.

WEEE Compliance

This product is required to comply with the European Union's Waste Electrical & Electronic Equipment (WEEE) Directive 2002/96/EC. It is marked with the following symbol:



Thermo Fisher Scientific has contracted with one or more recycling or disposal companies in each European Union (EU) Member State, and these companies should dispose of or recycle this product. See www.thermo.com/rohswcee for further information on Thermo Fisher Scientific's compliance with these Directives and the recyclers in your country.



Certificate of Containment Testing

Containment Testing of 75005702 TX150 Bucket in a Thermo Scientific Centrifuge

Report No. 194-12 E

Report Prepared For: Thermo Fisher Scientific

Issue Date: 31st October 2012

Test Summary

A 75005702 TX150 bucket was containment tested in a Thermo Scientific centrifuge at 4,500 rpm, using Annex AA of IEC 61010-2-20:2006 (2nd Ed.). The sealed rotor was shown to contain all contents.

Report Written By

A handwritten signature in blue ink that reads "Anna Moy".

Name: Ms Anna Moy

Title: Biosafety Scientist

Report Authorised By

A handwritten signature in blue ink that reads "Mrs Sara Speight".

Name: Mrs Sara Speight

Title: Senior Biosafety Scientist

Contents

Preface	7
Items Supplied	8
Intended Use	8
Precautions	9
Rotor Specifications	11
Thermo Scientific Heraeus Megafuge 8 Centrifuge	12
Thermo Scientific Sorvall ST 8 Centrifuge	14
Thermo Scientific SL 8 Centrifuge	17
Accessories	19
Thermo Scientific Auto-Lock Rotor Exchange	21
Rotor Installation	22
Removing the Rotor	23
Rotor Loading	25
Before a Run	26
Proper Loading	26
Improper Loading	27
Maximum Loading	27
Cycle Counter	28
Aerosol-tight Applications	29
Basic Principles	30
Fill Level	30
Checking the aerosol Tightness	30
Quick Test	30
Aerosol-tight Closure with Thermo Scientific ClickSeal Lids	32
Maintenance and Care	33
Cleaning Intervals	34
Cleaning	34
Disinfection	36
Decontamination	37
Autoclaving	38
Thermo Fisher Scientific Service	38

Contents

RCF-Values	39
Chemical Compatibility Chart	43
Contact	51
Index	53

Preface

Before starting to use the rotor, read through these instruction manual carefully and follow the instructions.

Failure to follow the instructions and safety information in this instruction manual will result in the expiration of the seller's warranty.

Items Supplied

	Quantity	Check
TX-150 Rotor	1	<input type="checkbox"/>
Bolt grease	1	<input type="checkbox"/>
Instruction manual	1	<input type="checkbox"/>

If any parts are missing, please contact the nearest Thermo Fisher Scientific representative.

Intended Use

This rotor is used in combination with the according centrifuge as a laboratory product designed to separate components by generation of Relative Centrifugal Force. It separates human samples (e.g. blood, urine and other body fluids) collected in appropriate containers, either alone or after addition of reagents or other additives.

The rotor in the centrifuge is designed to run other containers filled with chemicals, environmental samples and other non-human body samples.

If the rotor is used in a manner not specified by the manufacturer, the protection provided by the equipment may be impaired.

This rotor should be operated by trained specialists only.

Precautions

In order to ensure safe operation of the TX-150 Rotor, the following general safety regulations must be followed:

- Do not remove the magnet at the rotor bottom
- Do not use rotors which show any signs of corrosion and/or cracks. Do not touch the electronic components of the rotor and do not make any changes to the electronic or mechanical components.
- Use only with rotors which have been loaded properly.
- Never overload the rotor.
- Use only accessories which have been approved by Thermo Fisher Scientific. Exceptions to this rule are commercially available glass or plastic centrifuge tubes, provided they have been approved for the speed or the RCF value of the rotor.
- If centrifuging any hazardous materials mind the „Laboratory Biosafety Manual“ of the World Health Organization (WHO).

When centrifuging microbiological samples from the Risk Group II (according to the "Laboratory Biosafety Manual" of the World Health Organization (WHO)), aerosol-tight biological seals have to be used.

Look on the internet page of the World Health Organization (www.who.int) for the „Laboratory Biosafety Manual“.

- Observe the safety instructions.

Pay particular attention to the following aspects:

- Rotor installation: Check that the rotor is locked properly into place before operating the centrifuge.
- Always balance the samples.

Maximum sample density at maximum speed: $1,2 \frac{\text{g}}{\text{cm}^3}$



This symbol refers to general hazards.
CAUTION means that material damage could occur.
WARNING means that injuries or material damage or contamination could occur.



This symbol refers to biological hazards.
Observe the information contained in the instruction manual to keep yourself and your environment safe.

Rotor Specifications

Contents

- “Thermo Scientific Heraeus Megafuge 8 Centrifuge” on page 12
- “Thermo Scientific Sorvall ST 8 Centrifuge” on page 14
- “Thermo Scientific SL 8 Centrifuge” on page 17

2 Rotor Specifications

Thermo Scientific Heraeus Megafuge 8 Centrifuge

Thermo Scientific Heraeus Megafuge 8 Centrifuge

Table 1. Heraeus 230V 50Hz/60Hz, Round buckets, 75005702

Centrifuge	Heraeus® Megafuge® 8
Catalog #	75007211
Weight empty [kg]	2.9
Max. cycle number	50000
Maximum permissible load [g]	4 x 190
Maximum speed n_{\max} [rpm]	4500
Maximum RCF value at n_{\max}	3260
Max. / min. radius [cm]	14.4 / 5.1
Pitch angle [°]	90
Accel. / braking time [s]	12 / 18
Sample heating at n_{\max} [° C] referred to ambient temperature of 23 °C, running time 60 minutes	5
Aerosol-tight ¹	Yes
Permissible temperature range autoclavable °C	121

¹Tested by HPA, Porton-down, UK

Table 2. Heraeus 230V 50Hz/60Hz, Conical buckets, 75005703

Centrifuge	Heraeus® Megafuge® 8
Catalog #	75007211
Weight empty [kg]	2.9
Max. cycle number	50000
Maximum permissible load [g]	4 x 150
Maximum speed n_{\max} [rpm]	4500
Maximum RCF value at n_{\max}	3260
Max. / min. radius [cm]	14.4 / 4.5
Pitch angle [°]	90
Accel. / braking time [s]	12 / 18
Sample heating at n_{\max} [° C] referred to ambient temperature of 23 °C, running time 60 minutes	7
Aerosol-tight ¹	No
Permissible temperature range autoclavable °C	121

¹Tested by HPA, Porton-down, UK

Table 3. Heraeus 120V 60Hz, Round buckets, 75005702

Centrifuge	Heraeus® Megafuge® 8
Catalog #	75007210
Weight empty [kg]	2.9
Max. cycle number	50000
Maximum permissible load [g]	4 x 190
Maximum speed n_{max} [rpm]	4500
Maximum RCF value at n_{max}	3260
Max. / min. radius [cm]	14.4 / 5.1
Pitch angle [°]	90
Accel. / braking time [s]	13 / 19
Sample heating at n_{max} [° C] referred to ambient temperature of 23 °C, running time 60 minutes	5
Aerosol-tight ¹	Yes
Permissible temperature range autoclavable °C	121

¹Tested by HPA, Porton-down, UK

Table 4. Heraeus 120V 60Hz, Conical buckets, 75005703

Centrifuge	Heraeus® Megafuge® 8
Catalog #	75007210
Weight empty [kg]	2.9
Max. cycle number	50000
Maximum permissible load [g]	4 x 150
Maximum speed n_{max} [rpm]	4500
Maximum RCF value at n_{max}	3260
Max. / min. radius [cm]	14.4 / 4.5
Pitch angle [°]	90
Accel. / braking time [s]	13 / 19
Sample heating at n_{max} [° C] referred to ambient temperature of 23 °C, running time 60 minutes	7
Aerosol-tight ¹	No
Permissible temperature range autoclavable °C	121

¹Tested by HPA, Porton-down, UK

2 Rotor Specifications

Thermo Scientific Sorvall ST 8 Centrifuge

Thermo Scientific Sorvall ST 8 Centrifuge

Table 5. Sorvall 230V 50/60Hz, Round buckets, 75005702

Centrifuge	Sorvall® ST 8
Catalog #	75007201
Weight empty [kg]	2.9
Max. cycle number	50000
Maximum permissible load [g]	4 x 190
Maximum speed n_{\max} [rpm]	4500
Maximum RCF value at n_{\max}	3260
Max. / min. radius [cm]	14.4 / 5.1
Pitch angle [°]	90
Accel. / braking time [s]	12 / 18
Sample heating at n_{\max} [° C] referred to ambient temperature of 23 °C, running time 60 minutes	5
Aerosol-tight ¹	Yes
Permissible temperature range autoclavable °C	121

¹Tested by HPA, Porton-down, UK

Table 6. Sorvall 230V 50/60Hz, Conical buckets, 75005703

Centrifuge	Sorvall® ST 8
Catalog #	75007201
Weight empty [kg]	2.9
Max. cycle number	50000
Maximum permissible load [g]	4 x 150
Maximum speed n_{\max} [rpm]	4500
Maximum RCF value at n_{\max}	3260
Max. / min. radius [cm]	14.4 / 4.5
Pitch angle [°]	90
Accel. / braking time [s]	12 / 18
Sample heating at n_{\max} [° C] referred to ambient temperature of 23 °C, running time 60 minutes	7
Aerosol-tight ¹	No
Permissible temperature range autoclavable °C	121

¹Tested by HPA, Porton-down, UK

Table 7. Sorvall 120V 60Hz, Round buckets, 75005702

Centrifuge	Sorvall® ST 8
Catalog #	75007200
Weight empty [kg]	2.9
Max. cycle number	50000
Maximum permissible load [g]	4 x 190
Maximum speed n_{max} [rpm]	4500
Maximum RCF value at n_{max}	3260
Max. / min. radius [cm]	14.4 / 5.1
Pitch angle [°]	90
Accel. / braking time [s]	13 / 19
Sample heating at n_{max} [° C] referred to ambient temperature of 23 °C, running time 60 minutes	5
Aerosol-tight ¹	Yes
Permissible temperature range autoclavable °C	121

¹Tested by HPA, Porton-down, UK

Table 8. Sorvall 120V 60Hz, Conical buckets, 75005703

Centrifuge	Sorvall® ST 8
Catalog #	75007200
Weight empty [kg]	2.9
Max. cycle number	50000
Maximum permissible load [g]	4 x 150
Maximum speed n_{max} [rpm]	4500
Maximum RCF value at n_{max}	3260
Max. / min. radius [cm]	14.4 / 4.5
Pitch angle [°]	90
Accel. / braking time [s]	13 / 19
Sample heating at n_{max} [° C] referred to ambient temperature of 23 °C, running time 60 minutes	7
Aerosol-tight ¹	No
Permissible temperature range autoclavable °C	121

¹Tested by HPA, Porton-down, UK

2 Rotor Specifications

Thermo Scientific Sorvall ST 8 Centrifuge

Table 9. Sorvall 100V 50/60Hz, Round buckets, 75005702

Centrifuge	Sorvall® ST 8
Catalog #	75007202
Weight empty [kg]	2.9
Max. cycle number	50000
Maximum permissible load [g]	4 x 190
Maximum speed n_{\max} [rpm]	4500
Maximum RCF value at n_{\max}	3260
Max. / min. radius [cm]	14.4 / 5.1
Pitch angle [°]	90
Accel. / braking time [s]	13 / 19
Sample heating at n_{\max} [° C] referred to ambient temperature of 23 °C, running time 60 minutes	5
Aerosol-tight ¹	Yes
Permissible temperature range autoclavable °C	121

¹Tested by HPA, Porton-down, UK

Table 10. Sorvall 100V 50/60Hz, Conical buckets, 75005703

Centrifuge	Sorvall® ST 8
Catalog #	75007202
Weight empty [kg]	2.9
Max. cycle number	50000
Maximum permissible load [g]	4 x 150
Maximum speed n_{\max} [rpm]	4500
Maximum RCF value at n_{\max}	3260
Max. / min. radius [cm]	14.4 / 4.5
Pitch angle [°]	90
Accel. / braking time [s]	13 / 19
Sample heating at n_{\max} [° C] referred to ambient temperature of 23 °C, running time 60 minutes	7
Aerosol-tight ¹	No
Permissible temperature range autoclavable °C	121

¹Tested by HPA, Porton-down, UK

Thermo Scientific SL 8 Centrifuge

Table 11. Thermo Scientific 230V 50/60Hz, Round buckets, 75005702

Centrifuge	SL 8
Catalog #	75007221
Weight empty [kg]	2.9
Max. cycle number	50000
Maximum permissible load [g]	4 x 190
Maximum speed n_{\max} [rpm]	4500
Maximum RCF value at n_{\max}	3260
Max. / min. radius [cm]	14.4 / 5.1
Pitch angle [°]	90
Accel. / braking time [s]	12 / 18
Sample heating at n_{\max} [° C] referred to ambient temperature of 23 °C, running time 60 minutes	5
Aerosol-tight ¹	Yes
Permissible temperature range autoclavable °C	121

¹Tested by HPA, Porton-down, UK

Table 12. Thermo Scientific 230V 50/60Hz, Conical buckets, 75005703

Centrifuge	SL 8
Catalog #	75007221
Weight empty [kg]	2.9
Max. cycle number	50000
Maximum permissible load [g]	4 x 150
Maximum speed n_{\max} [rpm]	4500
Maximum RCF value at n_{\max}	3260
Max. / min. radius [cm]	14.4 / 4.5
Pitch angle [°]	90
Accel. / braking time [s]	12 / 18
Sample heating at n_{\max} [° C] referred to ambient temperature of 23 °C, running time 60 minutes	7
Aerosol-tight ¹	No
Permissible temperature range autoclavable °C	121

¹Tested by HPA, Porton-down, UK

2 Rotor Specifications

Table 13. Thermo Scientific 120V 60Hz, Round buckets, 75005702

Centrifuge	SL 8
Catalog #	75007220
Weight empty [kg]	2.9
Max. cycle number	50000
Maximum permissible load [g]	4 x 190
Maximum speed n_{\max} [rpm]	4500
Maximum RCF value at n_{\max}	3260
Max. / min. radius [cm]	14.4 / 5.1
Pitch angle [°]	90
Accel. / braking time [s]	13 / 19
Sample heating at n_{\max} [° C] referred to ambient temperature of 23 °C, running time 60 minutes	5
Aerosol-tight ¹	Yes
Permissible temperature range autoclavable °C	121

¹Tested by HPA, Porton-down, UK

Table 14. Thermo Scientific 120V 60Hz, Conical buckets, 75005703

Centrifuge	SL 8
Catalog #	75007220
Weight empty [kg]	2.9
Max. cycle number	50000
Maximum permissible load [g]	4 x 150
Maximum speed n_{\max} [rpm]	4500
Maximum RCF value at n_{\max}	3260
Max. / min. radius [cm]	14.4 / 4.5
Pitch angle [°]	90
Accel. / braking time [s]	13 / 19
Sample heating at n_{\max} [° C] referred to ambient temperature of 23 °C, running time 60 minutes	7
Aerosol-tight ¹	No
Permissible temperature range autoclavable °C	121

¹Tested by HPA, Porton-down, UK

Accessories

Article	No.
ClickSeal® biocontainment lids for round bucket (4x)	75005707
Replacement seals for round buckets	75005724
145 mL bottle (no adapter required) (4x)	75005734
100 mL Round Bottom Open-Top Tube (4x)	75005735
50 mL Conical or Skirted Tube Adapter (4x)	75005736
15 mL Conical / 11 mL IVF Tube Adapter	75005737
14 mL Urine / 12 mL Blood Collection Tube (Greiner) / 10 mL Blood Collection or 15 mL Korex Kimble Tube Adapter	75005738
5-7 mL Blood Collection Tube Adapter	75005739
3-5 mL Blood Collection Tube Adapter	75005740
1.5/2 mL Microtube Adapter	75005742
25 mL Universal Flat / Skirted Tube Adapter	75005744

Thermo Scientific Auto-Lock Rotor Exchange

Contents

- “Rotor Installation” on page 22
- “Removing the Rotor” on page 23

Rotor Installation



CAUTION Unapproved or incorrectly combined accessories can cause serious damage to the centrifuge.

This rotor is equipped with an Auto-Lock™-system.

This system is used to automatically lock the rotor to the centrifuge spindle. The rotor does not have to be bolted onto the centrifuge spindle.

Proceed as follows:

1. Open the lid of the centrifuge and if necessary remove any dust, foreign objects or residue from the chamber.
Auto-Lock and O-ring must be clean and undamaged.

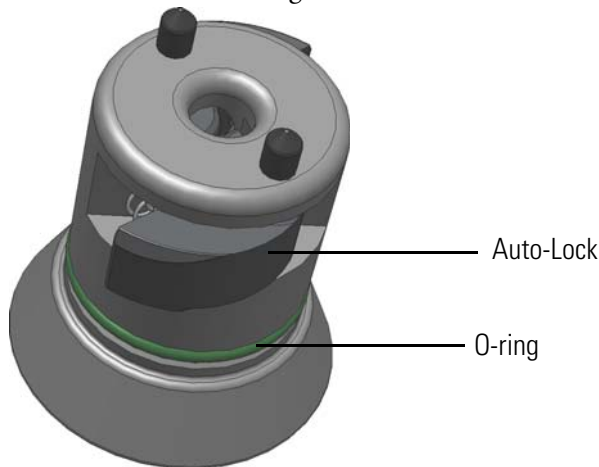


Figure 1. Auto-Lock

2. Hold the rotor over the centrifuge spindle and let it slide slowly down the centrifuge spindle. The rotor clicks automatically into place.



CAUTION Do not force the rotor onto the centrifuge spindle. If the rotor is very light, then it may be necessary to press it onto the centrifuge spindle with a small amount of pressure.

3. Check if the rotor is properly installed by lifting it slightly on the handle. If the rotor can be pulled up, then it must be reclamped to the centrifuge spindle.



WARNING If the rotor cannot be properly locked in place after several attempts, then the Auto-Lock is defective and you are not permitted to operate the rotor. Check for any damage to the rotor. Damaged rotors must not be used. Keep the hub area clear of objects.



CAUTION Check that the rotor is properly locked on the centrifuge spindle before each use by pulling it at its handle.



WARNING Be sure to check all seals before starting any aerosol-tight applications.

4. Close the centrifuge door.

Removing the Rotor

To remove the rotor, proceed as follows:

1. Open the centrifuge door.
2. Grab the rotor handle with both hands and press against the green Auto-Lock button. At the same time, pull the rotor directly upwards with both hands and remove it from the centrifuge spindle. Make sure not to jam the rotor while doing this.



Figure 2. Handling of Auto-Lock

Rotor Loading

Contents

- “Before a Run” on page 26
- “Proper Loading” on page 26
- “Improper Loading” on page 27
- “Maximum Loading” on page 27
- “Cycle Counter” on page 28

Before a Run

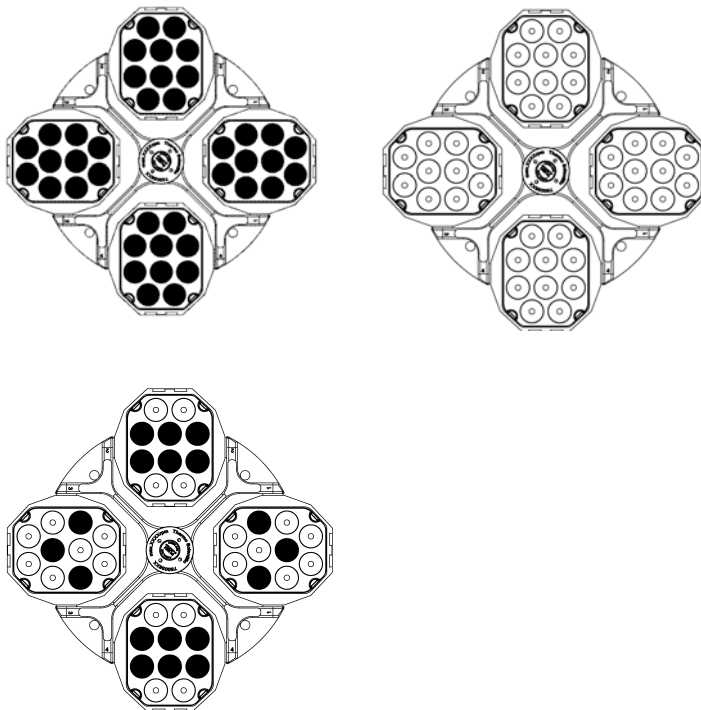
1. Please read and observe the safety instructions contained in these operating instructions and in the instructions for use.
2. Check the rotor and all accessory parts for damages such as cracks, scratches or traces of corrosion.
3. Check the rotor chamber, the centrifuge spindle and the Auto-Lock.
4. Check the rotor suitability using the “[Chemical Compatibility Chart](#)” on [page 43](#).
5. Make sure the tubes or bottles do not touch the bucket caps.
6. Check the rotor bolts and apply grease (part no. 75003786) before using for the first time.
7. Check that each bucket or microplate carrier can swing freely by moving it carefully with your hand. Weigh the bucket content (adapter and tube). Make sure you do not exceed the maximum compartment load.



CAUTION Always use identical bucket types in a rotor. Always be sure to use buckets of the same weight class, which is marked on the buckets themselves.

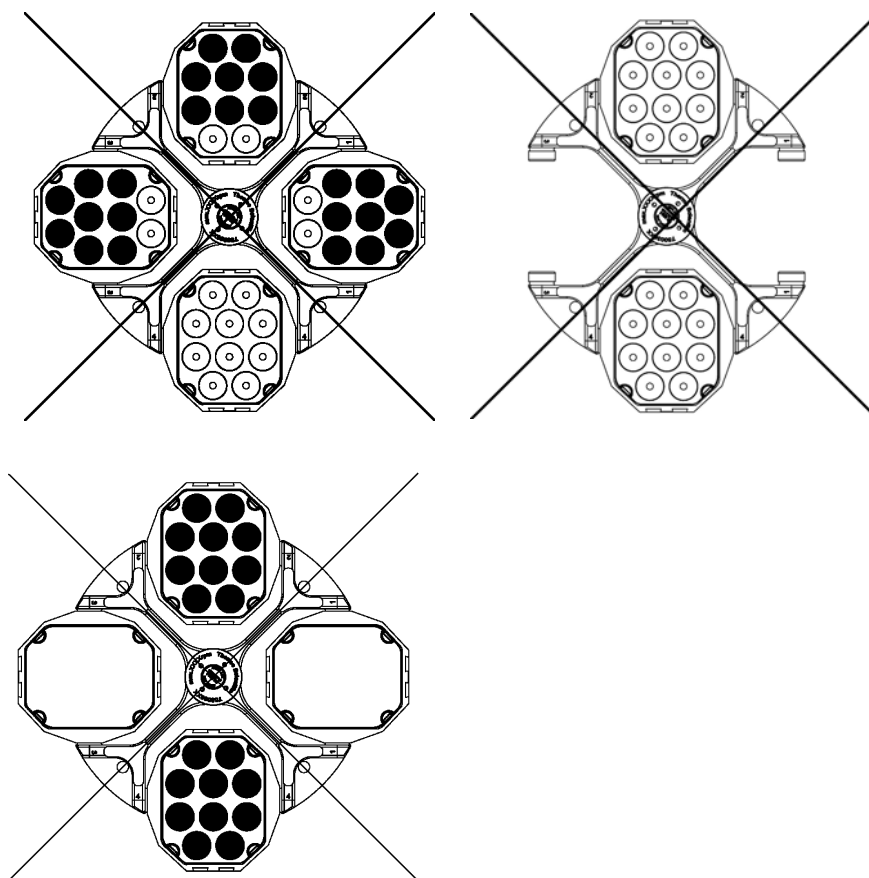
Proper Loading

To ensure safe operation of the centrifuge, the rotor must be evenly loaded at all times.



You can use two rectangular buckets or two round buckets or two microplate carriers. Make sure that the opposing receptacles are holding tubes of the same weight.

Improper Loading



Maximum Loading

The rotor can run at high speeds. The rotor design has sufficient reserve stability even when spinning at top speed.

The safety system of the centrifuge requires that you do not overload the rotor.

There are two options available for centrifuging samples whose weight, including adapter, exceeds the maximum permissible load:

- Reduce the fill level.
- Reduce the speed.

Use the table or the formula:

$$n_{\text{adm}} = n_{\text{max}} \sqrt{\frac{\text{Maximum permissible load}}{\text{Effective load}}}$$

n_{adm} = admissible speed

n_{max} = maximum speed

Round bucket		50 mL conical bucket	
Actual Load (g/cavity)	RPM _{max}	Actual Load (g/cavity)	RPM _{max}
190	4500	150	4500
195	4442	155	4427
200	4386	160	4357
205	4332	165	4291
210	4280	170	4227
215	4230	175	4166
220	4182	180	4108
225	4135	185	4052
230	4090	190	3998
235	4046	195	3947
240	4004	200	3897
245	3963	205	3849
250	3923	210	3803
255	3884	215	3759
260	3847	220	3716

Cycle Counter

The lifetime of rotors and buckets is dependent on the amount of mechanical load. Do not exceed the number of cycles recommended for rotors and buckets.

The maximum number of cycles is given in the rotor table in the rotor specification section.

The maximum number of cycles for buckets is marked on the buckets themselves.



WARNING Replace the rotor when the specified number of cycles is reached. Due to the mechanical load a rotor can break and thus damage the centrifuge. Replace the buckets when the specified number of cycles is reached.

Service life examples

Usage profile	Maximum service life at 50,000 cycles
frequent use 20 runs / day 220 days / year	7 years

Aerosol-tight Applications

Contents

- “Basic Principles” on page 30
- “Fill Level” on page 30
- “Checking the aerosol Tightness” on page 30

Basic Principles



CAUTION Biological seals are part of bio-containment systems as specified in international and national bio-safety guidelines, and cannot be relied on as the only means of safeguarding workers and the environment when handling pathogenic micro-organisms. Mind the „Laboratory Biosafety Manual“ of the World Health Organization (WHO) and the regulations in your country.



CAUTION When centrifuging hazardous samples, do not open aerosol-tight rotors or buckets unless placed in a safety cabinet. Always bear in mind the maximum permitted fill levels.



WARNING Be sure to check all seals before starting any aerosol-tight applications.

Check that the sample containers are well suited for the desired centrifugation process.

Fill Level

The tubes are only to be filled to a level which ensures that the sample is unable to reach the top of the tube during centrifugation. Therefore fill the tube only 2/3 of the rated level.

Checking the aerosol Tightness

The aerosol tightness testing of the rotors and buckets took place according to the microbiological test process in accordance with the EN 61010-2-020 Appendix AA.

Whether or not a rotor is aerosol-tight depends primarily on proper handling.

Check as needed to make sure your rotor is aerosol-tight.

The careful inspection of the seals and seal surfaces for signs of wear and damage such as cracks, scratches and embrittlement is extremely important.

Aerosol-tight applications are not possible if the bucket tops are open.

Aerosol-tightness requires the correct operation when filling the sample vessels and closing the rotor lid.

Quick Test

As a quick test, it is possible to test the aerosol-tight beaker and fixed-angle rotors using the following process:

1. Lubricate all seals lightly.
Always use the special grease (part no. 76003500) when lubricating the seals.
2. Fill the bucket or the rotor with approx. 10 ml of carbonated mineral water.

3. Close the bucket or the rotor as explained in the handling instructions.
4. Shake the bucket or the rotor vigorously using your hands.

This releases the carbonic acid gas which is bound in the water, resulting in excess pressure. Do not apply pressure to the lid when doing so!

Leaks can be detected by escaping water or the sound of escaping gas.

Replace the seals if you detect any leaks. Then repeat the test.

5. Dry the rotor, rotor cover and the cover seal.



CAUTION Prior to each use, the seals in the rotor are to be inspected in order to assure that they are correctly seated and are not worn or damaged. Damaged seals are to be replaced immediately. Replacement seals are supplied with the rotors and can also be re-ordered as a spare parts set. See table in “Accessories” on page 19. When loading the rotor, ensure that the rotor lid closes securely. Damaged or clouded rotor covers are to be replaced immediately.

Aerosol-tight Closure with Thermo Scientific ClickSeal Lids

1. If necessary, grease the lid joint before closing the lid. Use grease (part no. 76003500) for this.
2. Raise the latch.
The cap can now be easily placed on the bucket.



Figure 3. Bucket with open lid

3. Lower the latch to close the bucket aerosol-tight; be sure the latch clicks into place.



Figure 4. Bucket with closed lid



CAUTION If the latch is not flipped down, the caps could be damaged during centrifuging.
If the latch has not clicked into place, the bucket is not aerosol-tight.
Never raise the bucket at its latch.

Maintenance and Care

Contents

- “Cleaning Intervals” on page 34
- “Cleaning” on page 34
- “Disinfection” on page 36
- “Decontamination” on page 37
- “Autoclaving” on page 38
- “Thermo Fisher Scientific Service” on page 38

Cleaning Intervals

For the sake of personal, environmental, and material protection, you have to clean and if necessary disinfect the centrifuge on a regular basis.

Maintenance	Recommended Interval
Clean rotor chamber	Daily or when polluted
Clean rotor	Daily or when polluted
Accessories	Daily or when polluted
Cabinet	Once per month
Ventilation holes	Every six months



CAUTION Refrain from using any other cleaning or decontamination procedure than those recommended here, if you are not entirely sure that the intended procedure is safe for the equipment.
Use only approved cleansers.
If in doubt, contact Thermo Fisher Scientific.

Cleaning

When cleaning the centrifuge:

- Use warm water with a neutral solvent.
- Never use caustic cleaning agents such as soap suds, phosphoric acid, bleaching solutions or scrubbing powder.
- Rinse the cavities out thoroughly.
- Use a soft brush without metal bristles to remove stubborn residue.
- Afterwards rinse with distilled water.
- Place the rotors on a plastic grate with their cavities pointing down.
- If drying boxes are used, the temperature must never exceed 50 °C, since higher temperatures could damage the material and shorten the lifetime of the parts.
- Use only disinfectants with a pH of 6-8.
- Dry aluminum parts off with a soft cloth.
- After cleaning, treat the entire surface of aluminum parts with corrosion protection oil (part no. 70009824). Also treat the cavities with oil.
- Store the aluminum parts at room temperature or in a cold-storage room with the cavities pointing down.



CAUTION Before using any cleaning or decontamination methods except those recommended by the manufacturer, users should check with the manufacturer that the proposed method will not damage the equipment.

Clean centrifuge and accessories as follows:

1. Open the centrifuge.
2. Turn off the centrifuge.
3. Pull out the power supply plug.
4. Grasp the rotor with both hands and lift it vertically off the centrifuge spindle.
5. Remove the centrifuge tubes and adapters.
6. Use a neutral cleaning agent with a pH 6-8 for cleaning.
7. Dry all of the rotors and accessories after cleaning with a cloth or in a warm air cabinet at a maximum temperature of 50 °C.
8. Clean the housing of the centrifuge as needed.
 - After cleaning, treat the entire surface of aluminum parts with corrosion protection oil (part no. 70009824). Also treat the cavities with oil.
 - Tread the bolt of the swing out rotor with bolt grease (part no. 75003786).



CAUTION When cleaning, do not allow liquids, especially organic solvents, to get on the drive shaft, the bearings, the Auto-Lock or the locks. Organic solvents break down the grease in the motor bearing. The drive shaft could freeze up.

After some applications there might be ice in the rotor chamber. Let the ice melt and drain it off. Clean the rotor chamber as described above.

Disinfection

Disinfect the centrifuge immediately whenever infectious material has spilled during centrifugation.



WARNING Infectious material can get into the centrifuge when a tube breaks or as a result of spills. Keep in mind the risk of infection when touching the rotor and take all necessary precautions.

In case of contamination, make sure that others are not put at risk.
Decontaminate the affected parts immediately.
Take other precautions if need be.

Use a sprayer whenever possible so that all surfaces are covered evenly.

The rotor chamber and the rotor should be treated preferably with a neutral disinfectant.



CAUTION Before using any cleaning or decontamination methods except those recommended by the manufacturer, users should check with the manufacturer that the proposed method will not damage the equipment.

Observe the safety precautions and handling instructions for the cleaning agents used.

Contact the Service Department of Thermo Fisher Scientific for questions regarding the use of other disinfectants.

Disinfect the rotor and accessories as follows:

1. Open the centrifuge.
2. Turn off the centrifuge.
3. Pull out the power supply plug.
4. Grasp the rotor with both hands and lift it vertically off the centrifuge spindle.
5. Remove the centrifuge tubes and adapters and dispose of them or disinfect them.
6. Treat the rotor and accessories according to the instructions for the disinfectant (spray or soak in solution). Adhere strictly to the given application times.
7. Be sure the disinfectant can drain off the rotor.
8. Rinse the rotor and rotor lid thoroughly with water and then rub down.
9. Dispose of the disinfectant according to the applicable guidelines.
10. Dry all of the rotors and accessories after cleaning with a cloth or in a warm air cabinet at a maximum temperature of 50 °C.
 - After cleaning, treat the entire surface of aluminum parts with corrosion protection oil (part no. 70009824). Also treat the cavities with oil.
 - Treat the bolt of the swing out rotor with bolt grease (part no. 75003786).

Decontamination

Decontaminate the centrifuge immediately whenever radioactive material has spilled during centrifugation.



WARNING Radioactive material can get into the centrifuge when a tube breaks or as a result of spills. Keep in mind the risk of infection when touching the rotor and take all necessary precautions.
In case of contamination, make sure that others are not put at risk.
Decontaminate the affected parts immediately.
Take other precautions if needed.



CAUTION Before using any cleaning or decontamination methods except those recommended by the manufacturer, users should check with the manufacturer that the proposed method will not damage the equipment.

For general radioactive decontamination use a solution of equal parts of 70% ethanol, 10% SDS and water.

Disinfect the rotor and accessories as follows:

1. Open the centrifuge.
2. Turn off the centrifuge.
3. Pull out the power supply plug.
4. Grasp the rotor with both hands and lift it vertically off the centrifuge spindle.
5. Remove the centrifuge tubes and adapters and dispose of them or disinfect them.
6. Rinse the rotor first with ethanol and then with de-ionized water.
 - Adhere strictly to the given application times.
7. Be sure the decontamination solution can drain off the rotor.
8. Rinse the rotor and accessories thoroughly with water.
9. Dispose of the decontamination solution according to the applicable guidelines.
10. Dry all of the rotors and accessories after cleaning with a cloth or in a warm air cabinet at a maximum temperature of 50 °C.
 - After cleaning, treat the entire surface of aluminum parts with corrosion protection oil (part no. 70009824). Also treat the cavities with oil.
 - Treat the bolt of the swing out rotor with bolt grease (part no. 75003786).

Autoclaving

1. Before autoclaving clean rotor and accessories.
2. Place the rotor on a flat surface.
 - Rotors and adapter can be autoclaved at 121 °C.
 - The maximum permissible autoclave cycle is 20 minutes at 121 °C.

Clean the rotor before autoclaving and rinse it with distilled water. Remove all accessories (tubes, adapters) from the rotor. Place the rotor on a flat surface.

Note No chemical additives are permitted in the steam.



CAUTION Never exceed the permitted temperature and duration when autoclaving. If the rotor shows signs of corrosion or wear, it must be replaced.



WARNING Dangerous materials through leaky seals. The O-ring of a sealed bucket will be damaged through heat exposure. Remove it before autoclaving a sealed bucket. Use a new O-ring.

Thermo Fisher Scientific Service

Thermo Fisher Scientific recommends having the centrifuge and accessories serviced once a year by an authorized service technician. The service technicians check the following:

- the electrical equipment
- the suitability of the set-up site
- the lid lock and the safety system
- the rotor
- the fixation of the rotor and the drive shaft

Thermo Fisher Scientific offers inspection and service contracts for this work.

RCF-Values

Table 15. Round bucket

Speed (rpm)	R _{min}	R _{max}	RCF R _{min}	RCF R _{max}
300	5.1	14.4	5	14
400	5.1	14.4	9	26
500	5.1	14.4	14	40
600	5.1	14.4	21	58
700	5.1	14.4	28	79
800	5.1	14.4	36	103
900	5.1	14.4	46	130
1000	5.1	14.4	57	161
1100	5.1	14.4	69	195
1200	5.1	14.4	82	232
1300	5.1	14.4	96	272
1400	5.1	14.4	112	316
1500	5.1	14.4	128	362
1600	5.1	14.4	146	412
1700	5.1	14.4	165	465
1800	5.1	14.4	185	522
1900	5.1	14.4	206	581
2000	5.1	14.4	228	644
2100	5.1	14.4	251	710
2200	5.1	14.4	276	779
2300	5.1	14.4	302	852
2400	5.1	14.4	328	927
2500	5.1	14.4	356	1006
2600	5.1	14.4	385	1088
2700	5.1	14.4	416	1174
2800	5.1	14.4	447	1262
2900	5.1	14.4	480	1354
3000	5.1	14.4	513	1449
3100	5.1	14.4	548	1547
3200	5.1	14.4	584	1649
3300	5.1	14.4	621	1753
3400	5.1	14.4	659	1861

Table 15. Round bucket

Speed (rpm)	R _{min}	R _{max}	RCF R _{min}	RCF R _{max}
3500	5.1	14.4	698	1972
3600	5.1	14.4	739	2086
3700	5.1	14.4	781	2204
3800	5.1	14.4	823	2325
3900	5.1	14.4	867	2449
4000	5.1	14.4	912	2576
4100	5.1	14.4	958	2706
4200	5.1	14.4	1006	2840
4300	5.1	14.4	1054	2977
4400	5.1	14.4	1104	3117
4500	5.1	14.4	1155	3260
4600	5.1	14.4	1207	3407
4700	5.1	14.4	1260	3556
4800	5.1	14.4	1314	3709
4900	5.1	14.4	1369	3865
5000	5.1	14.4	1425	4025

Table 16. 50 mL conical buckets

Speed (rpm)	R _{min}	R _{max}	RCF R _{min}	RCF R _{max}
300	4.5	14.4	5	14
400	4.5	14.4	8	26
500	4.5	14.4	13	40
600	4.5	14.4	18	58
700	4.5	14.4	25	79
800	4.5	14.4	32	103
900	4.5	14.4	41	130
1000	4.5	14.4	50	161
1100	4.5	14.4	61	195
1200	4.5	14.4	72	232
1300	4.5	14.4	85	272
1400	4.5	14.4	99	316
1500	4.5	14.4	113	362
1600	4.5	14.4	129	412
1700	4.5	14.4	145	465
1800	4.5	14.4	163	522

Table 16. 50 mL conical buckets

Speed (rpm)	R _{min}	R _{max}	RCF R _{min}	RCF R _{max}
1900	4.5	14.4	182	581
2000	4.5	14.4	201	644
2100	4.5	14.4	222	710
2200	4.5	14.4	244	779
2300	4.5	14.4	266	852
2400	4.5	14.4	290	927
2500	4.5	14.4	314	1006
2600	4.5	14.4	340	1088
2700	4.5	14.4	367	1174
2800	4.5	14.4	394	1262
2900	4.5	14.4	423	1354
3000	4.5	14.4	453	1449
3100	4.5	14.4	483	1547
3200	4.5	14.4	515	1649
3300	4.5	14.4	548	1753
3400	4.5	14.4	582	1861
3500	4.5	14.4	616	1972
3600	4.5	14.4	652	2086
3700	4.5	14.4	689	2204
3800	4.5	14.4	726	2325
3900	4.5	14.4	765	2449
4000	4.5	14.4	805	2576
4100	4.5	14.4	846	2706
4200	4.5	14.4	887	2840
4300	4.5	14.4	930	2977
4400	4.5	14.4	974	3117
4500	4.5	14.4	1019	3260
4600	4.5	14.4	1065	3407
4700	4.5	14.4	1111	3556
4800	4.5	14.4	1159	3709
4900	4.5	14.4	1208	3865
5000	4.5	14.4	1258	4025

Chemical Compatibility Chart

CHEMICAL	MATERIAL	ALUMINUM	ANODIC COATING for ALUMINIUM	BUNA N	CELLULOSE ACETATE BUTYRATE	POLYURETHANE ROTOR PAINT	COMPOSITE Carbon Fiber/Epoxy	DELTRIN®	ETHYLENE PROPYLENE	GLASS	NEOPRENE	NORYL®	NYLON	PET ¹ , POLYCLEAR®, CLEARCRIMP®, CCCLEARCRIMP®	POLYALLUMER	POLYCARBONATE	POLYESTER, GLASS THERMOSET	POLYETHERIMIDE	POLYRTHYLENE	POLYPROPYLENE	POLYSULFONE	POLYVINYL CHLORIDE	RULON A®, TEFLON®	SILICONE RUBBER	STAINLESS STEEL	TITANIUM	TYGON®	VITON®
2-mercaptoethanol	S	S	U	-	S	M	S	-	S	U	S	S	U	S	S	-	S	S	S	S	U	S	S	S	S	S	S	S
Acetaldehyde	S	-	U	U	-	-	-	M	-	U	-	-	-	M	U	U	U	M	M	-	M	S	U	-	S	-	U	
Acetone	M	S	U	U	S	U	M	S	S	U	U	S	U	S	U	U	U	S	S	U	U	S	M	M	S	U	U	
Acetonitrile	S	S	U	-	S	M	S	-	S	S	U	S	U	M	U	U	-	S	M	U	U	S	S	S	S	U	U	
Alconox®	U	U	S	-	S	S	S	-	S	S	S	S	S	S	M	S	S	S	S	S	S	S	S	S	S	S	S	U
Allyl Alcohol	-	-	-	U	-	-	S	-	-	-	-	-	S	-	S	S	M	S	S	S	-	M	S	-	-	S	-	-
Aluminum Chloride	U	U	S	S	S	S	U	S	S	S	S	S	M	S	S	S	S	-	S	S	S	S	M	U	U	S	S	
Formic Acid (100%)	-	S	M	U	-	-	U	-	-	-	-	-	U	-	S	M	U	U	S	S	-	U	S	-	U	S	-	U
Ammonium Acetate	S	S	U	-	S	S	S	-	S	S	S	S	S	S	S	U	-	S	S	S	S	S	S	S	S	S	S	S
Ammonium Carbonate	M	S	U	S	S	S	S	S	S	S	S	S	S	S	U	U	-	S	S	S	S	S	S	M	S	S	S	
Ammonium Hydroxide (10%)	U	U	S	U	S	S	M	S	S	S	S	S	S	-	S	U	M	S	S	S	S	S	S	S	S	S	M	S
Ammonium Hydroxide (28%)	U	U	S	U	S	U	M	S	S	S	S	S	U	S	U	M	S	S	S	S	S	S	S	S	S	S	M	S
Ammonium Hydroxide (conc.)	U	U	U	U	S	U	M	S	-	S	-	S	U	S	U	U	S	S	S	-	M	S	S	S	S	-	U	
Ammonium Phosphate	U	-	S	-	S	S	S	S	S	S	S	S	-	S	S	M	-	S	S	S	S	S	S	M	S	S	S	
Ammonium Sulfate	U	M	S	-	S	S	U	S	S	S	S	S	S	S	S	S	-	S	S	S	S	S	S	U	S	S	U	
Amyl Alcohol	S	-	M	U	-	-	S	S	-	M	-	S	-	M	S	S	S	S	M	-	-	-	U	-	S	-	M	
Aniline	S	S	U	U	S	U	S	M	S	U	U	U	U	U	U	U	-	S	M	U	U	S	S	S	S	U	S	
Sodium Hydroxide (<1%)	U	-	M	S	S	S	-	-	S	M	S	S	-	S	M	M	S	S	S	S	S	S	M	S	S	-	U	
Sodium Hydroxide (10%)	U	-	M	U	-	-	U	-	M	M	S	S	U	S	U	U	S	S	S	S	S	S	M	S	S	-	U	

B Chemical Compatibility Chart

CHEMICAL	MATERIAL	ALUMINUM	ANODIC COATING for ALUMINIUM	BUNA N	CELLULOSE ACETATE BUTYRATE	POLYURETHANE ROTOR PAINT	COMPOSITE Carbon Fiber/Epoxy DELRIN®	ETHYLENE PROPYLENE	GLASS	NEOPRENE	NORYL®	NYLON	PET ¹ , POLYCLEAR®, CLEARCRIMP®, CCCLEARCRIMP®	POLYALLUMER	POLYCARBONATE	POLYESTER, GLASS THERMOSET	POLYETHERIMIDE	POLYTHYLENE	POLYPROPYLENE	POLYSULFONE	POLYVINYL CHLORIDE	RULON A®, TEFLON®	SILICONE RUBBER	STAINLESS STEEL	TITANIUM	TYGON®	VITON®
Barium Salts	M	U	S	-	S	S	S	S	S	S	S	S	S	S	S	M	-	S	S	S	S	S	S	M	S	S	S
Benzene	S	S	U	U	S	U	M	U	S	U	U	S	U	U	U	M	U	M	U	U	U	S	U	U	S	U	S
Benzyl Alcohol	S	-	U	U	-	-	M	M	-	M	-	S	U	U	U	U	U	U	U	-	M	S	M	-	S	-	S
Boric Acid	U	S	S	M	S	S	U	S	S	S	S	S	S	S	S	S	U	S	S	S	S	S	S	S	S	S	S
Cesium Acetate	M	-	S	-	S	S	S	-	S	S	S	S	-	S	S	-	-	S	S	S	S	S	S	M	S	S	S
Cesium Bromide	M	S	S	-	S	S	S	-	S	S	S	S	S	S	S	-	-	S	S	S	S	S	S	M	S	S	S
Cesium Chloride	M	S	S	U	S	S	S	-	S	S	S	S	S	S	S	-	-	S	S	S	S	S	S	M	S	S	S
Cesium Formate	M	S	S	-	S	S	S	-	S	S	S	S	S	S	S	-	-	S	S	S	S	S	S	M	S	S	S
Cesium Iodide	M	S	S	-	S	S	S	-	S	S	S	S	S	S	S	-	-	S	S	S	S	S	S	M	S	S	S
Cesium Sulfate	M	S	S	-	S	S	S	-	S	S	S	S	S	S	S	-	-	S	S	S	S	S	S	M	S	S	S
Chloroform	U	U	U	U	S	S	M	U	S	U	U	M	U	M	U	U	U	M	M	U	U	S	U	U	U	M	S
Chromic Acid (10%)	U	-	U	U	S	U	U	-	S	S	S	U	S	S	M	U	M	S	S	U	M	S	M	U	S	S	S
Chromic Acid (50%)	U	-	U	U	-	U	U	-	-	-	S	U	U	S	M	U	M	S	S	U	M	S	-	U	M	-	S
Cresol Mixture	S	S	U	-	-	-	S	-	S	U	U	U	U	U	U	-	-	U	U	-	U	S	S	S	S	U	S
Cyclohexane	S	S	S	-	S	S	S	U	S	U	S	S	U	U	U	M	S	M	U	M	M	S	U	M	M	U	S
Deoxycholate	S	S	S	-	S	S	S	-	S	S	S	S	S	S	S	-	-	S	S	S	S	S	S	S	S	S	S
Distilled Water	S	S	S	S	S	S	S	S	S	S	S	S	S	S	S	S	S	S	S	S	S	S	S	S	S	S	S
Dextran	M	S	S	S	S	S	S	-	S	S	S	S	S	S	S	S	S	S	S	S	S	S	S	M	S	S	S
Diethyl Ether	S	S	U	U	S	S	S	U	S	U	U	S	U	U	U	U	U	U	U	U	U	S	S	S	S	M	U
Diethyl Ketone	S	-	U	U	-	-	M	-	S	U	-	S	-	M	U	U	U	M	M	-	U	S	-	-	S	U	U
Diethylpyrocarbonate	S	S	U	-	S	S	S	-	S	S	U	S	U	S	U	-	-	S	S	S	M	S	S	S	S	S	S
Dimethylsulfoxide	S	S	U	U	S	S	S	-	S	U	S	S	U	S	U	U	-	S	S	U	U	S	S	S	S	U	U
Dioxane	M	S	U	U	S	S	M	M	S	U	U	S	U	M	U	U	-	M	M	M	U	S	S	S	S	U	U
Ferric Chloride	U	U	S	-	-	-	M	S	-	M	-	S	-	S	-	-	-	S	S	-	-	-	M	U	S	-	S
Acetic Acid (Glacial)	S	S	U	U	S	S	U	M	S	U	S	U	U	U	U	U	M	S	U	M	U	S	U	U	S	-	U

CHEMICAL	MATERIAL	ALUMINUM	ANODIC COATING for ALUMINIUM	BUNA N	CELLULOSE ACETATE BUTYRATE	POLYURETHANE ROTOR PAINT	COMPOSITE Carbon Fiber/Epoxy	DELRIN®	ETHYLENE PROPYLENE	GLASS	NEOPRENE	NORYL®	NYLON	PET ¹ , POLYCLEAR®, CLEARCRIMP®, CCCLEARCRIMP®	POLYALLOMER	POLYCARBONATE	POLYESTER, GLASS THERMOSET	POLYETHERIMIDE	POLYRTHYLENE	POLYPROPYLENE	POLYSULFONE	POLYVINYL CHLORIDE	RULON A®, TEFLON®	SILICONE RUBBER	STAINLESS STEEL	TITANIUM	TYGON®	VITON®
Acetic Acid (5%)	S	S	M	S	S	S	M	S	S	S	S	S	M	S	S	S	S	S	S	S	S	M	S	S	M	S	S	M
Acetic Acid (60%)	S	S	U	U	S	S	U	-	S	M	S	U	U	M	U	S	M	S	M	S	M	S	M	U	S	M	U	
Ethyl Acetate	M	M	U	U	S	S	M	M	S	S	U	S	U	M	U	U	-	S	S	U	U	S	M	M	S	U	U	
Ethyl Alcohol (50%)	S	S	S	S	S	S	M	S	S	S	S	S	U	S	U	S	S	S	S	S	S	S	S	S	M	S	M	U
Ethyl Alcohol (95%)	S	S	S	U	S	S	M	S	S	S	S	S	U	S	U	-	S	S	S	M	S	S	S	U	S	M	U	
Ethylene Dichloride	S	-	U	U	-	-	S	M	-	U	U	S	U	U	U	U	U	U	U	-	U	S	U	-	S	-	S	
Ethylene Glycol	S	S	S	S	S	S	S	S	S	S	S	S	-	S	U	S	S	S	S	S	S	S	S	S	M	S	M	S
Ethylene Oxide Vapor	S	-	U	-	-	U	-	-	S	U	-	S	-	S	M	-	-	S	S	S	U	S	U	S	S	S	U	
Ficoll-Hypaque®	M	S	S	-	S	S	S	-	S	S	S	S	-	S	S	-	S	S	S	S	S	S	S	S	M	S	S	S
Hydrofluoric Acid (10%)	U	U	U	M	-	-	U	-	-	U	U	S	-	S	M	U	S	S	S	S	M	S	U	U	U	-	-	
Hydrofluoric Acid (50%)	U	U	U	U	-	-	U	-	-	U	U	U	U	S	U	U	U	S	S	M	M	S	U	U	U	-	M	
Hydrochloric Acid (conc.)	U	U	U	U	-	U	U	M	-	U	M	U	U	M	U	U	U	-	S	-	U	S	U	U	U	-	-	
Formaldehyde (40%)	M	M	M	S	S	S	S	M	S	S	S	S	M	S	S	S	U	S	S	M	S	S	S	M	S	M	U	
Glutaraldehyde	S	S	S	S	-	-	S	-	S	S	S	S	S	S	S	-	-	S	S	S	-	-	S	S	S	-	-	
Glycerol	M	S	S	-	S	S	S	S	S	S	S	S	S	S	S	S	-	S	S	S	S	S	S	S	S	S	S	
Guanidine Hydrochloride	U	U	S	-	S	S	S	-	S	S	S	S	S	S	S	-	-	S	S	S	S	S	S	U	S	S	S	
Haemo-Sol®	S	S	S	-	-	-	S	-	S	S	S	S	S	S	S	-	-	S	S	S	S	S	S	S	S	S	S	
Hexane	S	S	S	-	S	S	S	-	S	S	U	S	U	M	U	S	S	U	S	S	M	S	U	S	S	U	S	
Isobutyl Alcohol	-	-	M	U	-	-	S	S	-	U	-	S	U	S	S	M	S	S	S	-	S	S	S	-	S	-	S	
Isopropyl Alcohol	M	M	M	U	S	S	S	S	U	S	S	U	S	U	M	S	S	S	S	S	S	S	S	S	M	M	M	
Iodoacetic Acid	S	S	M	-	S	S	S	-	S	M	S	S	M	S	S	-	M	S	S	S	S	S	M	S	S	M	M	
Potassium Bromide	U	S	S	-	S	S	S	-	S	S	S	S	S	S	S	S	S	S	S	-	S	S	S	M	S	S	S	
Potassium Carbonate	M	U	S	S	S	S	S	-	S	S	S	S	S	U	S	S	S	S	S	S	S	S	S	S	S	S	S	
Potassium Chloride	U	S	S	-	S	S	S	S	S	S	S	S	S	S	S	-	S	S	S	S	S	S	S	U	S	S	S	

B Chemical Compatibility Chart

CHEMICAL	MATERIAL	ALUMINUM	ANODIC COATING for ALUMINIUM	BUNA N	CELLULOSE ACETATE BUTYRATE	POLYURETHANE ROTOR PAINT	COMPOSITE Carbon Fiber/Epoxy	DELTRIN®	ETHYLENE PROPYLENE	GLASS	NEOPRENE	NORYL®	NYLON	PET ¹ , POLYCLEAR®, CLEARCRIMP®, CCCLEARCRIMP®	POLYALLOMER	POLYCARBONATE	POLYESTER, GLASS THERMOSET	POLYETHERIMIDE	POLYTHYLENE	POLYPROPYLENE	POLYSULFONE	POLYVINYL CHLORIDE	RULON A®, TEFLON®	SILICONE RUBBER	STAINLESS STEEL	TITANIUM	TYGON®	VITON®	
Potassium Hydroxide (5%)		U	U	S	S	S	S	M	-	S	S	S	S	-	S	U	S	S	S	S	S	S	S	M	U	M	S	U	
Potassium Hydroxide (conc.)		U	U	M	U	-	-	M	-	M	S	S	-	U	M	U	U	U	S	M	-	M	U	-	U	U	-	U	
Potassium Permanganate		S	S	S	-	S	S	S	-	S	S	S	U	S	S	S	M	-	S	M	S	U	S	S	M	S	U	S	
Calcium Chloride		M	U	S	S	S	S	S	S	S	S	S	S	S	S	M	S	-	S	S	S	S	S	S	M	S	S	S	
Calcium Hypochlorite		M	-	U	-	S	M	M	S	-	M	-	S	-	S	M	S	-	S	S	S	M	S	M	U	S	-	S	
Kerosene		S	S	S	-	S	S	S	U	S	M	U	S	U	M	M	S	-	M	M	M	S	S	U	S	S	U	S	
Sodium Chloride (10%)		S	-	S	S	S	S	S	S	-	-	-	S	S	S	S	S	-	S	S	S	S	-	S	S	M	-	S	
Sodium Chloride (sat'd)		U	-	S	U	S	S	S	-	-	-	-	S	S	S	S	S	-	S	S	-	S	-	S	S	M	-	S	
Carbon Tetrachloride		U	U	M	S	S	U	M	U	S	U	U	S	U	M	U	S	S	M	M	S	M	M	M	M	U	S	S	
Aqua Regia		U	-	U	U	-	-	U	-	-	-	-	-	U	U	U	U	U	U	U	U	-	-	-	-	-	S	-	M
Solution 555 (20%)		S	S	S	-	-	-	S	-	S	S	S	S	S	S	S	S	-	-	S	S	S	-	S	S	S	S	S	
Magnesium Chloride		M	S	S	-	S	S	S	S	S	S	S	S	S	S	S	S	S	S	S	S	S	S	S	M	S	S	S	
Mercaptoacetic Acid		U	S	U	-	S	M	S	-	S	M	S	U	U	U	U	-	S	U	U	S	M	S	U	S	S	S	S	
Methyl Alcohol		S	S	S	U	S	S	M	S	S	S	S	S	U	S	U	M	S	S	S	S	S	S	S	M	S	M	U	
Methylene Chloride		U	U	U	U	M	S	S	U	S	U	U	S	U	U	U	U	U	M	U	U	U	S	S	M	U	S	U	
Methyl Ethyl Ketone		S	S	U	U	S	S	M	S	S	U	U	S	U	S	U	U	U	S	S	U	U	S	S	S	S	U	U	
Metrizamide®		M	S	S	-	S	S	S	-	S	S	S	S	-	S	S	-	-	S	S	S	S	S	S	M	S	S	S	
Lactic Acid (100%)		-	-	S	-	-	-	-	-	-	M	S	U	-	S	S	S	M	S	S	-	M	S	M	S	S	-	S	
Lactic Acid (20%)		-	-	S	S	-	-	-	-	-	M	S	M	-	S	S	S	S	S	S	S	M	S	M	S	S	-	S	
N-Butyl Alcohol		S	-	S	U	-	-	S	-	-	S	M	-	U	S	M	S	S	S	S	M	M	S	M	-	S	-	S	
N-Butyl Phthalate		S	S	U	-	S	S	S	-	S	U	U	S	U	U	U	M	-	U	U	S	U	S	M	M	S	U	S	
N, N-Dimethylformamide		S	S	S	U	S	M	S	-	S	S	U	S	U	S	U	U	-	S	S	U	U	S	M	S	S	S	U	

CHEMICAL	MATERIAL	ALUMINUM	ANODIC COATING for ALUMINIUM	BUNA N	CELLULOSE ACETATE BUTYRATE	POLYURETHANE ROTOR PAINT	COMPOSITE Carbon Fiber/Epoxy	DELRIN®	ETHYLENE PROPYLENE	GLASS	NEOPRENE	NORYL®	NYLON	PET ¹ , POLYCLEAR®, CLEARCRIMP®, CCCLEARCRIMP®	POLYALLOMER	POLYCARBONATE	POLYESTER, GLASS THERMOSET	POLYETHERIMIDE	POLYRTHYLENE	POLYPROPYLENE	POLYSULFONE	POLYVINYL CHLORIDE	RULON A®, TEFLON®	SILICONE RUBBER	STAINLESS STEEL	TITANIUM	TYGON®	VITON®
Sodium Borate	M	S	S	S	S	S	S	S	S	S	S	S	U	S	S	S	S	-	S	S	S	S	S	S	M	S	S	S
Sodium Bromide	U	S	S	-	S	S	S	-	S	S	S	S	S	S	S	S	S	-	S	S	S	S	S	S	M	S	S	S
Sodium Carbonate (2%)	M	U	S	S	S	S	S	S	S	S	S	S	S	S	S	U	S	S	S	S	S	S	S	S	S	S	S	S
Sodium Dodecyl Sulfate	S	S	S	-	S	S	S	-	S	S	S	S	S	S	S	S	-	S	S	S	S	S	S	S	S	S	S	S
Sodium Hypochlorite (5%)	U	U	M	S	S	M	U	S	S	M	S	S	S	S	M	S	S	S	S	M	S	S	S	M	U	S	M	S
Sodium Iodide	M	S	S	-	S	S	S	-	S	S	S	S	S	S	S	S	-	-	S	S	S	S	S	S	M	S	S	S
Sodium Nitrate	S	S	S	-	S	S	S	S	S	S	S	S	S	S	S	S	S	-	S	S	S	S	S	S	U	S	S	S
Sodium Sulfate	U	S	S	-	S	S	S	S	S	S	S	S	S	S	S	S	S	S	S	S	S	S	S	S	M	S	S	S
Sodium Sulfide	S	-	S	S	-	-	-	S	-	-	-	S	S	S	U	U	-	-	S	-	-	-	S	S	M	-	S	
Sodium Sulfite	S	S	S	-	S	S	S	S	M	S	S	S	S	S	S	S	M	-	S	S	S	S	S	S	S	S	S	
Nickel Salts	U	S	S	S	S	S	-	S	S	S	-	-	S	S	S	S	S	-	S	S	S	S	S	S	M	S	S	
Oils (Petroleum)	S	S	S	-	-	-	S	U	S	S	S	S	U	U	M	S	M	U	U	S	S	S	S	U	S	S	S	
Oils (Other)	S	-	S	-	-	-	S	M	S	S	S	S	U	S	S	S	S	U	S	S	S	S	S	-	S	S	M	
Oleic Acid	S	-	U	S	S	S	U	U	S	U	S	S	M	S	S	S	S	S	S	S	S	S	S	M	U	S	M	
Oxalic Acid	U	U	M	S	S	S	U	S	S	S	S	S	U	S	U	S	S	S	S	S	S	S	S	S	U	M	S	
Perchloric Acid (10%)	U	-	U	-	S	U	U	-	S	M	M	-	-	M	U	M	S	M	M	-	M	S	U	-	S	-		
Perchloric Acid (70%)	U	U	U	-	-	U	U	-	S	U	M	U	U	M	U	U	U	M	M	U	M	S	U	U	S	U		
Phenol (5%)	U	S	U	-	S	M	M	-	S	U	M	U	U	S	U	M	S	M	S	U	U	S	U	M	M	M		
Phenol (50%)	U	S	U	-	S	U	M	-	S	U	M	U	U	U	U	S	U	M	U	U	S	U	U	U	U	M		
Phosphoric Acid (10%)	U	U	M	S	S	S	U	S	S	S	S	U	-	S	S	S	S	S	S	S	S	S	S	U	M	U		
Phosphoric Acid (conc.)	U	U	M	M	-	-	U	S	-	M	S	U	U	M	M	S	S	S	M	S	M	S	U	M	U	-		
Physiologic Media (Serum, Urine)	M	S	S	S	-	-	S	-	S	S	S	S	S	S	S	S	S	S	S	S	S	S	S	S	S	S		
Picric Acid	S	S	U	-	S	M	S	S	M	S	U	S	S	S	U	S	S	S	S	S	U	S	U	M	S	M		
Pyridine (50%)	U	S	U	U	S	U	U	-	U	S	S	U	U	M	U	U	-	U	S	M	U	S	S	U	U	U		

B Chemical Compatibility Chart

CHEMICAL	MATERIAL	ALUMINUM	ANODIC COATING for ALUMINIUM	BUNA N	CELLULOSE ACETATE BUTYRATE	POLYURETHANE ROTOR PAINT	COMPOSITE Carbon Fiber/Epoxy DELRIN®	ETHYLENE PROPYLENE	GLASS	NEOPRENE	NORYL®	NYLON	PET ¹ , POLYCLEAR®, CLEARCRIMP®, CCCLEARCRIMP®	POLYALLUMER	POLYCARBONATE	POLYESTER, GLASS THERMOSET	POLYETHERIMIDE	POLYRTHYLENE	POLYPROPYLENE	POLYSULFONE	POLYVINYL CHLORIDE	RULON A®, TEFLON®	SILICONE RUBBER	STAINLESS STEEL	TITANIUM	TYGON®	VITON®
Rubidium Bromide	M	S	S	-	S	S	S	-	S	S	S	S	S	S	S	-	-	S	S	S	S	S	S	M	S	S	S
Rubidium Chloride	M	S	S	-	S	S	S	-	S	S	S	S	S	S	S	-	-	S	S	S	S	S	S	M	S	S	S
Sucrose	M	S	S	-	S	S	S	S	S	S	S	S	S	S	S	S	S	S	S	S	S	S	S	S	S	S	S
Sucrose, Alkaline	M	S	S	-	S	S	S	-	S	S	S	S	S	S	U	S	S	S	S	S	S	S	S	M	S	S	S
Sulfosalicylic Acid	U	U	S	S	S	S	S	-	S	S	S	U	S	S	S	-	S	S	S	-	S	S	S	U	S	S	S
Nitric Acid (10%)	U	S	U	S	S	U	U	-	S	U	S	U	-	S	S	S	S	S	S	S	S	S	M	S	S	S	S
Nitric Acid (50%)	U	S	U	M	S	U	U	-	S	U	S	U	U	M	M	U	M	M	M	S	S	S	U	S	S	M	S
Nitric Acid (95%)	U	-	U	U	-	U	U	-	-	U	U	U	U	M	U	U	U	U	M	U	U	S	U	S	S	-	S
Hydrochloric Acid (10%)	U	U	M	S	S	S	U	-	S	S	S	U	U	S	U	S	S	S	S	S	S	S	S	U	M	S	S
Hydrochloric Acid (50%)	U	U	U	U	S	U	U	-	S	M	S	U	U	M	U	U	S	S	S	S	M	S	M	U	U	M	M
Sulfuric Acid (10%)	M	U	U	S	S	U	U	-	S	S	M	U	S	S	S	S	S	S	S	S	S	S	U	U	U	S	S
Sulfuric Acid (50%)	M	U	U	U	S	U	U	-	S	S	M	U	U	S	U	U	M	S	S	S	S	S	U	U	U	M	S
Sulfuric Acid (conc.)	M	U	U	U	-	U	U	M	-	-	M	U	U	S	U	U	U	M	S	U	M	S	U	U	U	-	S
Stearic Acid	S	-	S	-	-	-	S	M	S	S	S	S	-	S	S	S	S	S	S	S	S	S	M	M	S	S	S
Tetrahydrofuran	S	S	U	U	S	U	U	M	S	U	U	S	U	U	U	-	M	U	U	U	U	S	U	S	S	U	U
Toluene	S	S	U	U	S	S	M	U	S	U	U	S	U	U	U	S	U	M	U	U	U	S	U	S	U	U	M
Trichloroacetic Acid	U	U	U	-	S	S	U	M	S	U	S	U	U	S	M	-	M	S	S	U	U	S	U	U	U	M	U
Trichloroethane	S	-	U	-	-	-	M	U	-	U	-	S	U	U	U	U	U	U	U	U	U	S	U	-	S	-	S
Trichloroethylene	-	-	U	U	-	-	-	U	-	U	-	S	U	U	U	U	U	U	U	U	U	S	U	-	U	-	S
Trisodium Phosphate	-	-	-	S	-	-	M	-	-	-	-	-	-	S	-	-	S	S	S	-	-	S	-	-	S	-	S
Tris Buffer (neutral pH)	U	S	S	S	S	S	S	-	S	S	S	S	S	S	S	S	S	S	S	S	S	S	S	S	S	S	S
Triton X-100®	S	S	S	-	S	S	S	-	S	S	S	S	S	S	S	S	S	S	S	S	S	S	S	S	S	S	S
Urea	S	-	U	S	S	S	S	-	-	-	-	S	S	S	M	S	S	S	S	-	S	S	S	M	S	-	S
Hydrogen Peroxide (10%)	U	U	M	S	S	U	U	-	S	S	S	U	S	S	S	M	U	S	S	S	S	S	S	M	S	U	S

CHEMICAL	MATERIAL	ALUMINUM	ANODIC COATING for ALUMINIUM	BUNA N	CELLULOSE ACETATE BUTYRATE	POLYURETHANE ROTOR PAINT	COMPOSITE Carbon Fiber/Epoxy	DELTRIN®	ETHYLENE PROPYLENE	GLASS	NEOPRENE	NORYL®	NYLON	PET ¹ , POLYCLEAR®, CLEARCRIMP®, CCCLEARCRIMP®	POLYALLOMER	POLYCARBONATE	POLYESTER, GLASS THERMOSET	POLYETHERIMIDE	POLYRTHYLENE	POLYPROPYLENE	POLYSULFONE	POLYVINYL CHLORIDE	RULON A®, TEFLON®	SILICONE RUBBER	STAINLESS STEEL	TITANIUM	TYGON®	VITON®	
Hydrogen Peroxide (3%)		S	M	S	S	S	-	S	-	S	S	S	S	S	S	S	S	M	S	S	S	S	S	S	S	S	S	S	S
Xylene		S	S	U	S	S	S	M	U	S	U	U	U	U	U	U	M	U	M	U	U	U	S	U	M	S	U	S	
Zinc Chloride		U	U	S	S	S	S	U	S	S	S	S	S	S	S	S	S	S	S	S	S	S	S	S	U	S	S	S	
Zinc Sulfate		U	S	S	-	S	S	S	S	S	S	S	S	S	S	S	S	S	S	S	S	S	S	S	S	S	S	S	
Citric Acid (10%)		M	S	S	M	S	S	M	S	S	S	S	S	S	S	S	S	M	S	S	S	S	S	S	S	S	S	S	

¹Polyethyleneterephthalate

Key

S Satisfactory

M M = Moderate attack, may be satisfactory for use in centrifuge depending on length of exposure, speed involved, etc.; suggest testing under actual conditions of use.

U U = Unsatisfactory, not recommended.

-- No data available. Because no organized chemical resistance data exists for materials under the stress of centrifugation, when in doubt we recommend pretesting sample lots. suggest testing, using sample to avoid loss of valuable material.

Contact

Country	Telephone number
United States / Canada	+1 866 984 3766
Latin America	+1 866 984 3766
Austria	+43 1 801 40 0
Belgium	+32 53 73 42 41
France	+33 2 2803 2180
Germany	0800 1 536 376 +49 6184 90 6000
Italy	+39 02 95059 552
Netherlands	+31 76 579 55 55
Nordic / Baltic Countries / CIS	+358 9 329 10200
Russia	+7 812 703 42 15
Spain / Portugal	+34 93 223 09 18
Switzerland	+41 44 454 12 22
UK / Ireland	+44 870 609 9203
China	+86 21 6865 4588 +86 10 8419 3588
India	+91 22 6716 2200
Japan	+81 45 453 9220
Other Asian Countries	+852 2885 4613
Australia	+61 39757 4300
New Zealand	+64 9 980 6700
Countries not listed	+49 6184 90 6000 +33 2 2803 2180

Index

A

Accessories 19
Aerosol-tight Applications 29
Autoclaving 38
Auto-Lock™ 21

B

Basic Principles 30
Before a Run 26

C

Checking the aerosol Tightness 30
Chemical Compatibility Chart 43
Cleaning 34
Cleaning Intervals 34
Cycle Counter 28

D

Decontamination 37

F

Fill Level 30

H

Heraeus 12

I

Improper Loading 27
Intended Use 8
Items Supplied 8

M

Maintenance and Care 33
Maximum Loading 27

P

Precautions 9
Preface 7
Proper Loading 26

R

RCF-Values 39
Removing the Rotor 23
Rotor Installation 22
Rotor Loading 25
Rotor Specifications 11

S

Sorvall 14

T

Thermo Fisher Scientific Service 38
Thermo Scientific 17

W

WEEE compliance 3

