

Hettich

ZENTRIFUGEN



HETTICH-CYTO SYSTEM

THE UNIQUE
DJB Labcare - The UK's Leading Centrifuge Specialist
info@djblabcare.co.uk www.djblabcare.co.uk
01908 612598

The HETTICH-CYTO-SYSTEM

■ Low purchase costs ■ Enables a variety of applications in one centrifuge ■ Allows preparation

The

Angle Chamber

- One-step centrifugation
- Easy removal of supernatant
- More slides per run
- Available in 3 different sizes

Hettich's cyto angle chamber offers decisive advantages for the preparation of slides for cytological examinations. It is particularly suited for cell-rich samples of small volume.

The wide opening of the chamber allows easy charging. The supernatant does not have to be removed by pipette, it can just be poured off.

By the use of special filter cards dry sediments can be obtained in a single centrifuging operation. A special rotor allows simultaneous processing of 8 cyto angle chambers.



Filter Cards

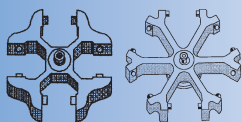
For the preparation of dry sediments a variety of filter cards is available.

Cyto Angle Chambers



Cyto angle chambers are offered in 3 different sizes:

- for sediments of 30 mm²
- for sediments of 60 mm²
- for sediments of 120 mm²



All cyto chambers can be accommodated by 4- and 6-

DJB Labcare - The UK's Leading Centrifuge Specialist
info@djblabcare.co.uk www.djblabcare.co.uk 01908 612598

M with versatile accessories

tions of dry and wet sediments.

The

Cyto Chamber



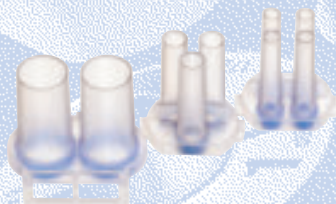
Easy to handle, reliable, fast.

Perfect cell preparations are easy to obtain! Just select the appropriate accessory from the Hettich-cyto-system for your particular application. Make your choice between the various cyto chambers. Each chamber offers special advantages for the preparation of cell sediments.

- No contamination
- For volumes up to 2 x 8 ml
- For sediments of different sizes
- Up to 8 sediments per slide

Multi-funnel chambers

The multi-funnel chambers enable 2, 3 or 4 sediments per slide. For the detection of tumour cells, we recommend to use the double chamber for 2 x 8 ml. The 3- and 4-funnel chambers lend themselves to the application of e.g. different antibodies.



One-funnel chambers



The perfect chamber for every preparation! Volumes up to 8 ml can be processed.

We recommend:

- 1 ml chambers: For small-volume samples of low cell contents, e.g. liquor cerebrospinalis
- 2 or 4 ml chambers: For cell-rich samples, e.g. pleura, ascites and bronchial washings
- 8 ml chambers: For large-volume samples, e.g. urine

Slide carriers

The slide carrier secures the chamber on the slide. One-chamber carriers with fastening ring can also accommodate angle chambers. Two-chamber carriers allow mounting of two one-funnel or two multi-funnel chambers on one slide. As a consequence, up to 8 sediments per carrier can be prepared.



Slide carrier with fastening ring for 1 chamber



Slide carrier with fastening slider for 1 chamber

Slide carrier for 2 chambers






The assembly of a cyto insert is extremely easy.

place rotors. For the angle chamber a special 8-place rotor is available.


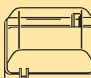

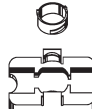
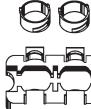
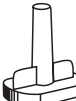
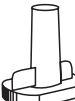












DJB Labcare - The UK's Leading Centrifuge Specialist
info@djblabcare.co.uk www.djblabcare.co.uk
01908 612598

Ordering Information

Rotors										
		 4-place rotor			 6-place rotor			 8-place rotor		
for		rotor	cyto-groove-suspension/ cyto-suspension		rotor	cyto-suspension		rotor	cyto-suspension	
MIKRO 22R		1048	+							
ROTOFIX 32		1624	+	1660 or 1680	1626	+	1660 or 1680	1648	+	1680
UNIVERSAL 320		1624	+	1660 or 1680	1626	+	1660 or 1680	1648	+	1680
UNIVERSAL 320R		1624	+	1660 or 1680	1626	+	1660 or 1680	1648	+	1680
UNIVERSAL 320/320R		1494	+	1452						
ROTINA 38		1724	+	1452	1726	+	1660 or 1680	1748	+	1660 or 1680
ROTINA 38R		1724	+	1452	1726	+	1660 or 1680	1748	+	1660 or 1680

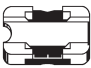
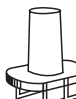

With two-tier insert No. 5280 cyto preparations can be produced in the centrifuge lines ROTINA 38, ROTANTA 460 and ROTIXA 50. We will be pleased to provide you with details on request.

Cyto-suspensions for cyto chambers






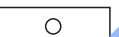


Cyto-suspensions	 cyto-groove suspension	 lid	 cyto-suspension	 one-chamber slide carrier with ring	 two-chamber slide carrier	
Cat.-No.:	1452	1661	1660	1662	1670	
One-funnel and multi-funnel chambers						
Capacity in ml	1	2	4	8	3x2	4x1
Area in mm ²	30	60	120	240	3x60	4x30
Cat.-No.:	1663	1664	1665	1666	1667	1668
Filter cards for one-chamber carriers						
Cat.-No.:		1675		1676	1677	1678
Filter cards for two-chamber carriers						
Cat.-No.:		1692		1691	1694	1693

¹⁾ Please note that RCF values in excess of 1,100 may lead to glass breakage.

Cyto-suspensions for cyto chambers

1660	1452	 one-chamber slide carrier with slider
cyto-suspension	cyto-groove suspension	
Cat.-No.:		1470
One-funnel and two-funnel chambers		
Capacity in ml	8	2 x 8
Area in mm ²	240	2 x 240
Cat.-No.:	1471	1475

Cyto-suspension for angle chambers

Cyto-suspension with lid for angle chambers	 cyto-suspension	 slide carrier with ring	
Cat.-No.:	1680	1662	
Angle chambers			
Capacity in ml *	1.5	1.25	0.75
Capacity in ml **	0.5	0.5	0.5
Area in mm ²	30	60	120
Cat.-No.:	1671	1672	1673
Filter cards			
Cat.-No.:	1696	1697	1698

* without filter card ** with filter card

Andreas Hettich GmbH & Co. KG
 Föhrenstr. 12 · D-76532 Tuttlingen/Germany
 Phone +49 (0) 7461 705-0 · Fax +49 (0) 7461 705-122

International Sales +49(0)7461 705-201
 International Service +49(0)7461 705-203

www.hettichlab.com · info@hettichlab.com · service@hettichlab.com

249.0705 © by Hettich Tuttlingen · Printed in Germany · Design, form and colour modifications reserved



The UK's Leading Centrifuge Specialist
 www.djblabcare.co.uk 01908 612599